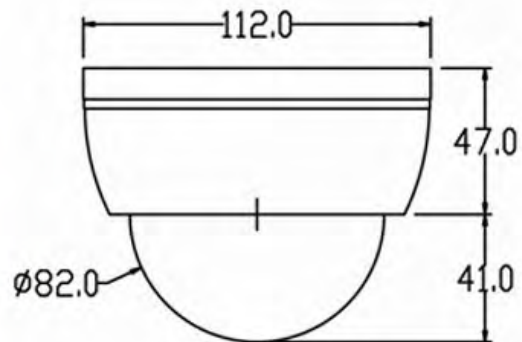


# CP- QAC-DC72

## High Resolution Dome Camera



### Main Features

- High Quality Image Sensor
- 720 TVL High Resolution Camera
- 0.01 lux @ F1.2
- 3.6 mm Fixed Lens
- AGC, AWB and BLC
- CE, FCC and RoHS Certified
- IR Range of 20 mtr with 24 LEDs



# CP- QAC-DC72

## High Resolution Dome Camera

### Feature

Image Sensor  
Pixels  
Resolution  
Min. Illumination  
S/N Ratio  
Electronic Shutter  
Flickerless Mode  
Iris Control  
Lens  
Gamma Correction  
White Balance (AWB)  
Gain Control (AGC)  
Back Light Compensation  
Sync  
Power Supply  
Power Consumption  
Weight  
Dimensions  
Operating Temperature  
Certifications

### Specification

High Quality Image Sensor  
PAL:976(H)×582(V), NTSC: 976(H)×494(V)  
720 TVL  
0.01 lux @F1.2  
more than 50dB  
1/60-1/100,000sec  
Electrical  
Manual  
3.6 mm  
0.45  
Auto  
Auto  
Auto  
Internal Sync  
DC 12V  
DC12V, 150mA  
200g  
Φ112mm\*88mm  
-10~ +50°C RH95% Max  
CE, FCC, RoHS



1141 Budapest, Fogarasi út 77. 1095 Budapest, Mester u. 34.  
Tel.: \*220-7940, 220-7814, 220-7959, Tel.: \*218-5542, 215-9771, 215-7550,  
220-8881, 364-3428 Fax: 220-7940 216-7017, 216-7018 Fax: 218-5542  
Mobil: 30 531-5454, 30 939-9989 Mobil: 30 940-1970, 20 949-2688

[www.cpplus.hu](http://www.cpplus.hu)

E-mail: [info@delton.hu](mailto:info@delton.hu) Web: [www.delton.hu](http://www.delton.hu)

