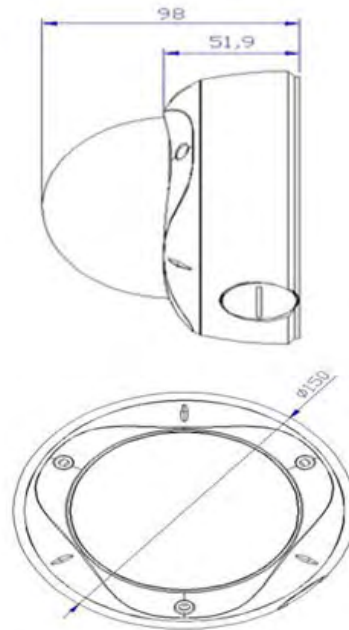


CP- EAC-VY70MVFL3W-E

High Resolution Vandal VF WDR IR Dome Camera - 30 Mtr.



Main Features

- 1/3" Sony Super HAD II
- 700 TVL High Resolution Camera
- Color: 0.1 Lux @ F1.2, B/W : 0.001 Lux @ F1.2
- 2.8~12 mm Vari-Focal Auto Iris Lens
- IR Range of 30 Mtrs with 30 LEDs
- AGC, AES, BLC, HLC, Mirror, Privacy Masking and Motion Detection
- Sens Up, WDR, 2D-DNR, 3D-DNR, LSC, DIS and Eclipse
- CE, FCC and RoHS Certified



CP- EAC-VY70MVFL3W-E

High Resolution Vandal VF WDR IR Dome Camera - 30 Mtr.

Feature

Image Sensor
 Pixels
 Resolution
 Min. Illumination
 S/N Ratio
 Electronic Shutter
 Flickerless Mode
 Iris Control
 Lens
 Gamma Correction
 White Balance (AWB)
 Gain Control (AGC)
 Back Light Compensation
 High Light Compensation
 IR
 WDR
 Sync
 Video Output
 Special Functions
 Power Supply
 Power Consumption
 Dimensions
 Weight
 Operating Temperature
 Certifications

Specification

1/3" Sony Super HAD II
 PAL:976(H)×582(V) NTSC:976(H)×494(V)
 700 TVL
 Color: 0.1 Lux @ F1.2, B/W : 0.001 Lux @ F1.2, 0 Lux(IR on)
 more than 50dB
 1/50 - 1/10000 Sec
 ON/OFF
 Auto
 2.8~12 mm Vari-Focal Auto Iris Lens
 0.45
 ATW/PUSH/User1/User 2/Manual/PUSH LOCK
 Auto AGC/AGC+Slow Shutter
 ON/OFF Selectable
 Yes
 30 LEDs, Upto 30 Mtrs
 Low/Middle/High
 Internal/External Line Lock
 1.0 Vp-p/75 ohm
 OSD, Camera ID, Camera Title, Mirror, Privacy Masking=7, Motion Detection=4, Sens-Up(Low Shutter)=x256, 2D-DNR, 3D-DNR, LSC, DIS, ECLIPSE
 DC 12V ± 5%
 <4W
 Ø150mm x 98mm
 900g
 -10~40 °C
 CE, FCC, RoHS



1141 Budapest, Fogarasi út 77. 1095 Budapest, Mester u. 34.
 Tel.: *220-7940, 220-7814, 220-7959, Tel.: *218-5542, 215-9771, 215-7550,
 220-8881, 364-3428 Fax: 220-7940 216-7017, 216-7018 Fax: 218-5542
 Mobil: 30 531-5454, 30 939-9989 Mobil: 30 940-1970, 20 949-2688

www.cplusplus.hu

E-mail: info@delton.hu Web: www.delton.hu

